

# fiora



LAV.FT.FONTANA ADW.GRA.3\_EN

# Fontana

LAKAPPAG

## MATERIAL

Silexpol® (matrix of mineral charges and polyurethane resin).  
Silica-free product.

## TEXTURE

Top and sides: Slate.  
Basin interior: Smooth.

## COLORS

In stock:



0P  
Total White



22T  
Black

On order:



36T  
Cappuccino



37T  
Cement



0T  
Off white



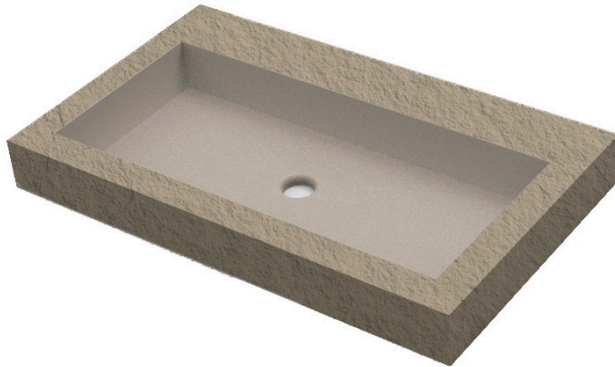
40T  
Bone



41M  
Silk grey

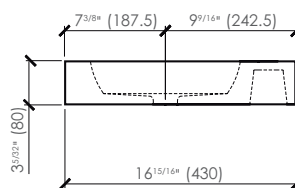
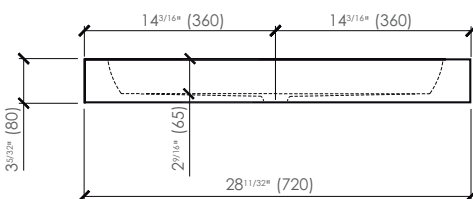
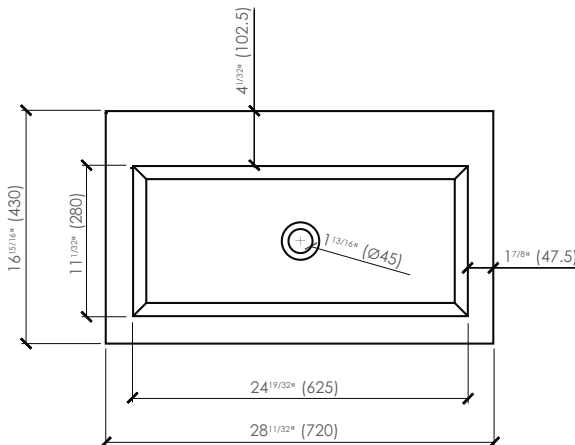


31T  
Grey



## DIMENSIONS AND WEIGHT

Length: 28<sup>11/32</sup>" (720 mm)  
Width: 16<sup>15/16</sup>" (430 mm)  
Height: 3<sup>5/32</sup>" (80 mm)  
Weight: 51.2 lb (23.2 kg)



## INCLUDED

- Installation instructions and owner's manual.

## NOT INCLUDED

- Drain.
- P-trap.

## FEATURES

- Protective finish against bacterial activity (ISO 22196:2011).
- Washbasin without overflow.
- Faucet hole:
  - No hole.
  - One hole.
  - Three holes for 8" c/c.
  - Custom hole drilling available upon request.

## INSTALLATION

- For installation on a countertop or vanity.

Approximate measurements. The manufacturer accepts 5 mm (0.2") variance.  
Products and specifications shown are subject to change without notice.  
Please contact AD Waters for any further inquiries, spare parts, etc.

Last revision 2024/07/24