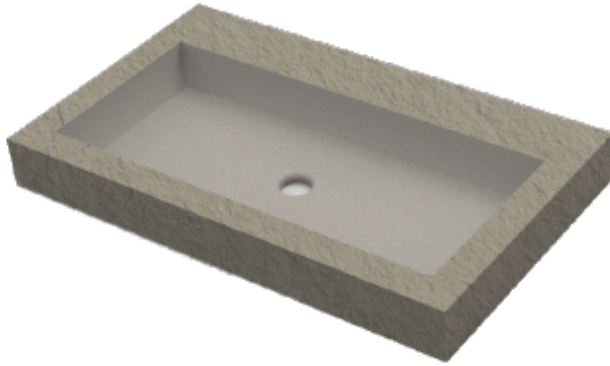


# fiora

COD 010607.FT.001.02\_EN

# Fontana

LAKAPPAG



## MATERIAL

Silexpol® (mix of polyurethane resins, silica and other minerals)

## TEXTURE

Top and sides: Slate  
Basin interior: Smooth

## COLORS

In stock:



Total white 0P    Black 22T

On order:



Cappuccino 36T    Cement 37T    Off white 0T    Bone 40T    Silk grey 21M    Grey 31T

## INCLUDED

· Installation instructions and owner's manual

## NOT INCLUDED

· Drain  
· P-trap

## FEATURES

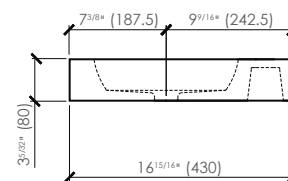
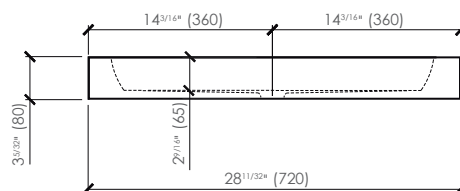
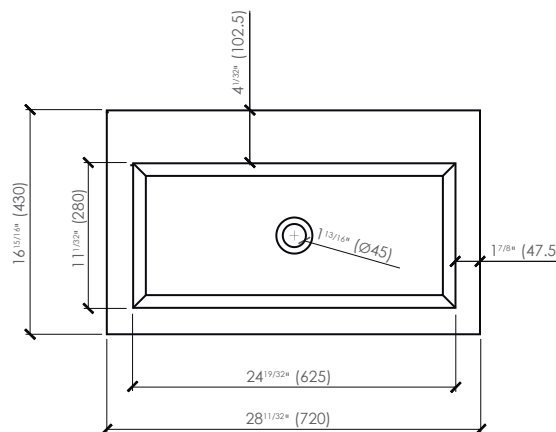
- Nanobath: Bacteriostatic and fungistatic
- Metalface: Extra coating to improve hardness and strength of washbasin finish
- Washbasin without overflow
- Faucet hole:
  - No hole
  - One hole
  - Three holes for 8" c/c
  - Custom hole drilling available upon request

## INSTALLATION

· For installation on a countertop or vanity

## DIMENSIONS AND WEIGHT

Length	28 <sup>11/32"</sup> (720 mm)
Width	16 <sup>15/16"</sup> (430 mm)
Height	3 <sup>5/32"</sup> (80 mm)
Weight	51.2 lb (23.2 kg)



Approximate measurements. The manufacturer accepts 5 mm (0.2") variance.  
Products and specifications shown are subject to change without notice.  
Please contact AD Waters for any further inquiries, spare parts, etc.

Last revision 2020-03-23

www.fiora.us  
Distributed in the United States  
and Canada by AD Waters  
Toll-free number: 1 888 239-9336